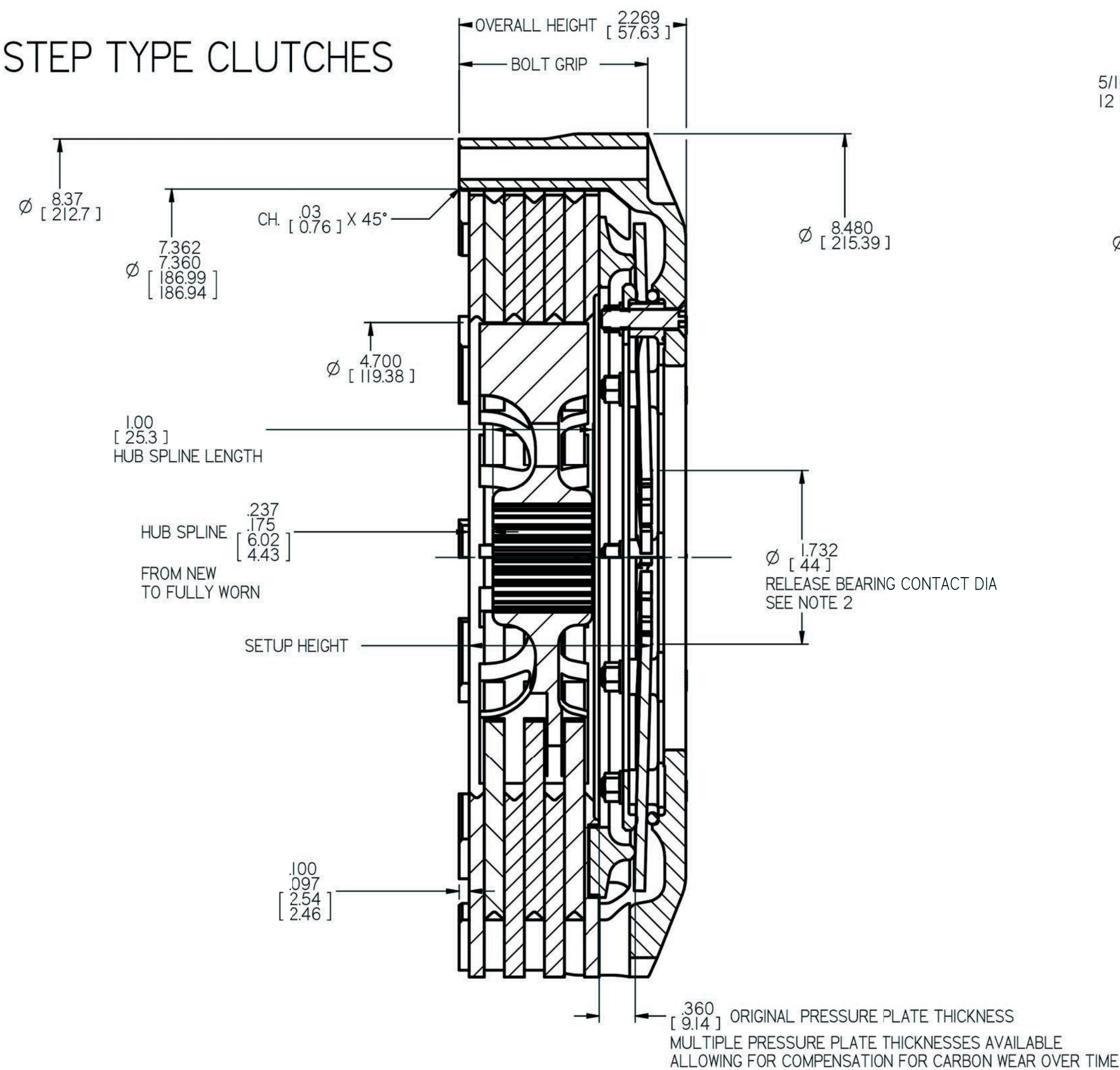
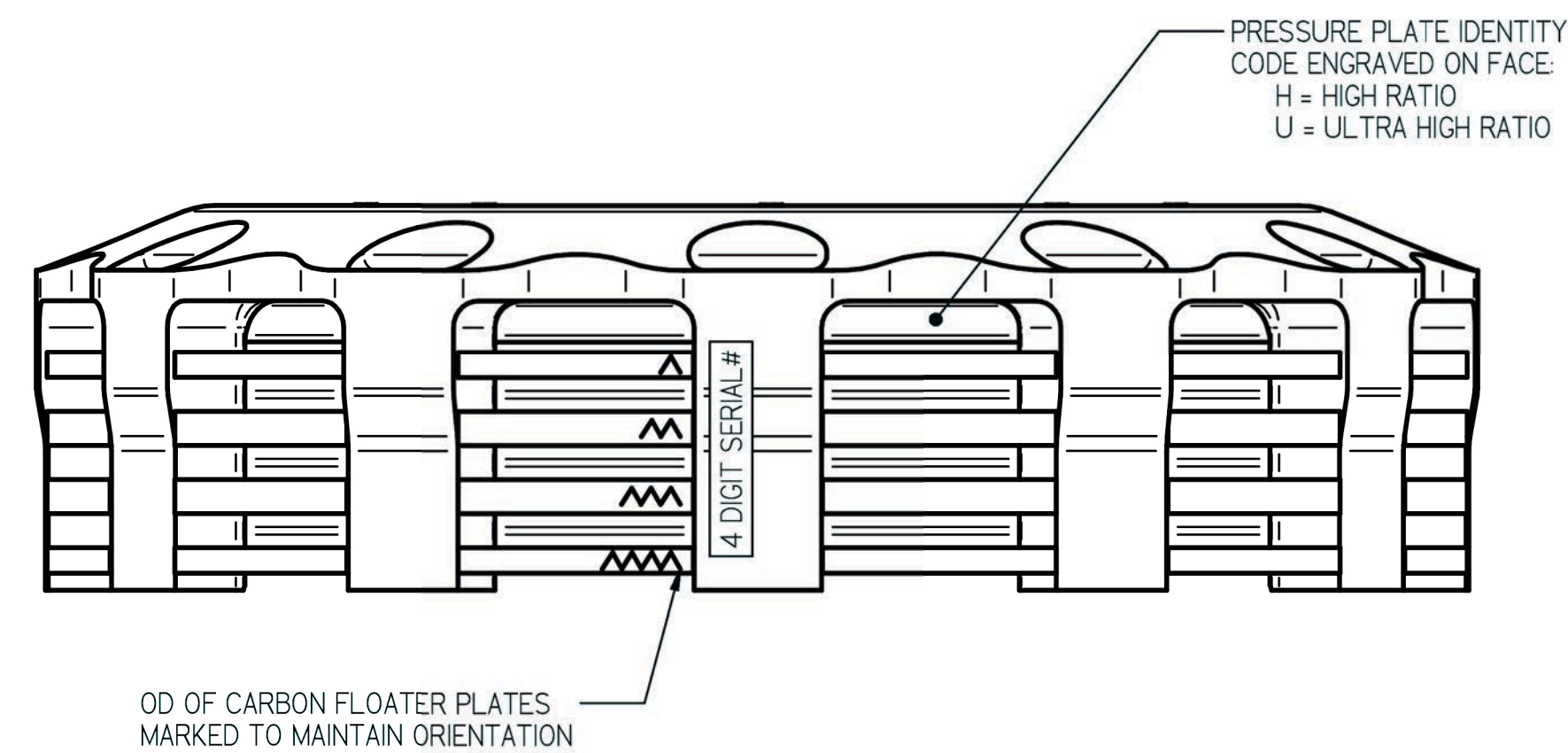
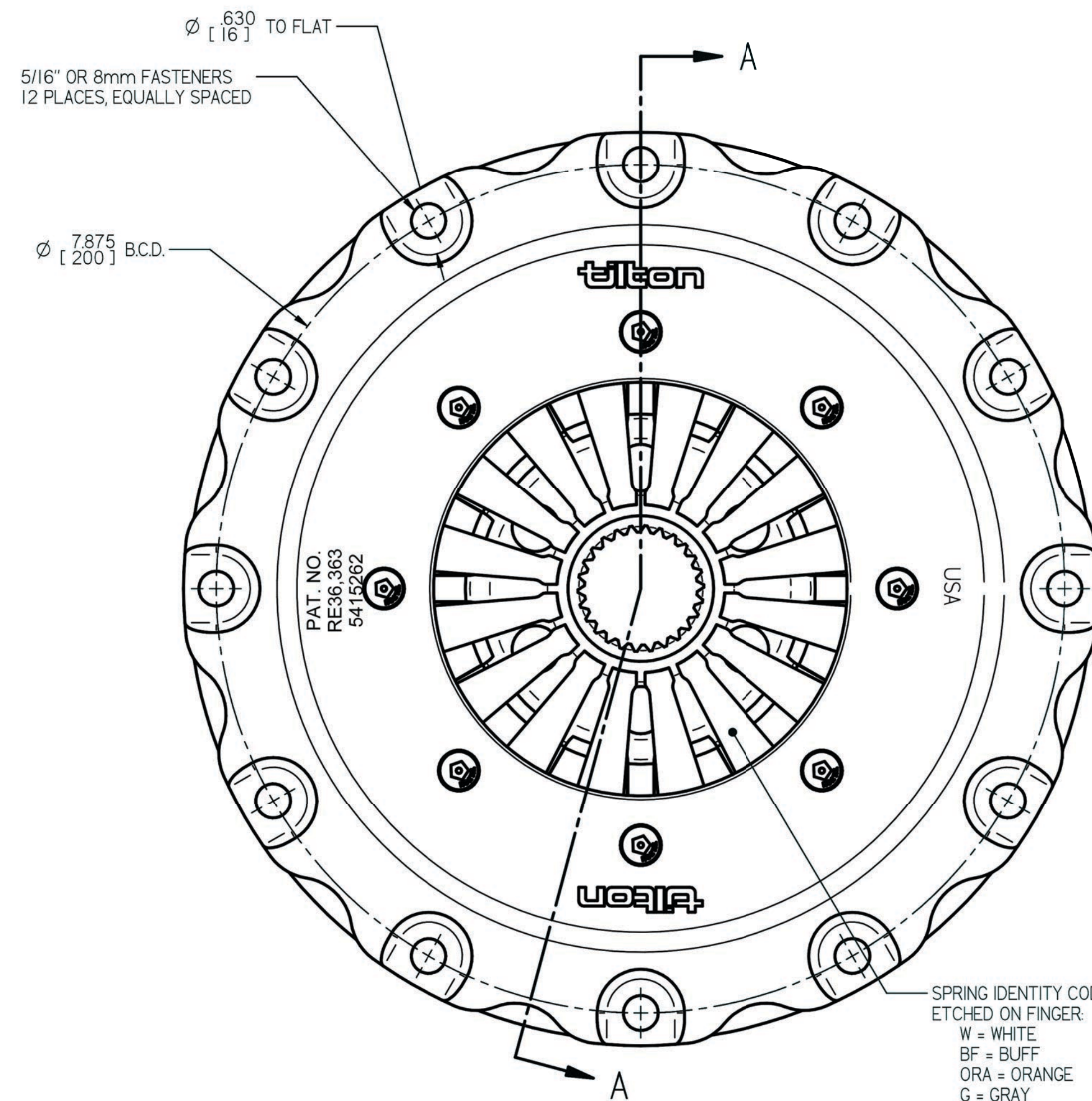
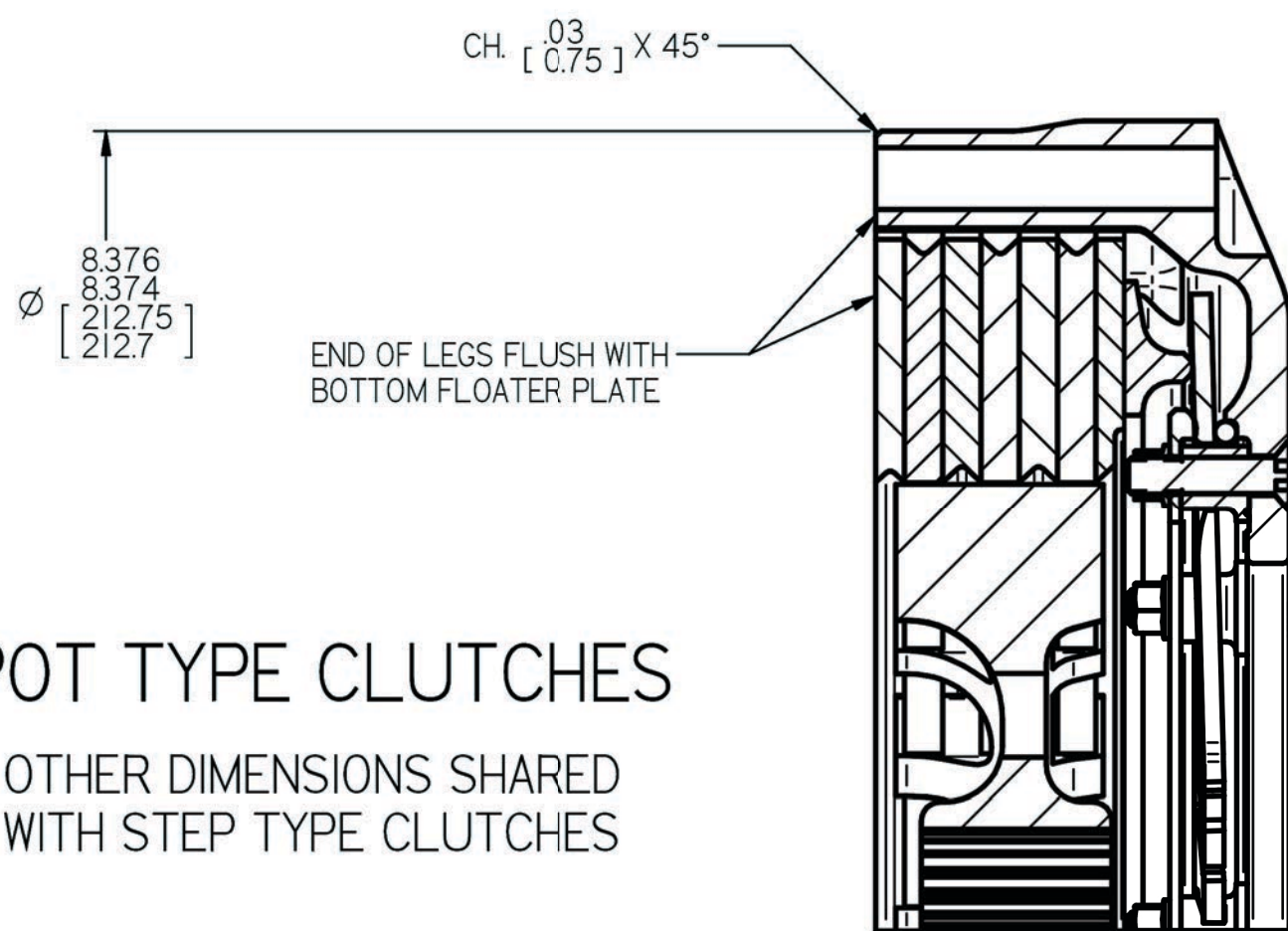


STEP TYPE CLUTCHES



POT TYPE CLUTCHES

OTHER DIMENSIONS SHARED WITH STEP TYPE CLUTCHES



CLUTCH P/N	# OF DISCS	FLYWHEEL MOUNTING	SETUP HEIGHT (NEW)*		SETUP HEIGHT (WORN)*		BOLT GRIP		OVERALL HEIGHT	
			IN	MM	IN	MM	IN	MM	IN	MM
6572XXX-P	2	POT	1.440	36.58	1.590	40.39	1.384	35.15	1.769	44.93
6572XXX-S	2	STEP	1.440	36.58	1.590	40.39	1.484	37.69	1.869	47.47
6573XXX-P	3	POT	1.840	46.74	1.990	50.55	1.784	45.31	2.169	55.09
6573XXX-S	3	STEP	1.840	46.74	1.990	50.55	1.884	47.85	2.269	57.63
6574XXX-P	4	POT	2.240	56.90	2.390	60.71	2.184	55.47	2.569	65.25
6574XXX-S	4	STEP	2.240	56.90	2.390	60.71	2.284	58.01	2.669	67.79

* SETUP HEIGHT VARIES SLIGHTLY WITH SPRING AND PRESSURE PLATE COMBINATIONS. SEE www.tiltonracing.com/TECHNICAL FOR MORE INFORMATION.

- NOTES:
- PRIMARY DIMENSIONS ARE INCHES. SECONDARY DIMENSIONS (MM).
 - SUPPLIED WITH .360" (9.14mm) THICK PRESSURE PLATE. ADDITIONAL PLATES AVAILABLE (.010"/.25mm INCREMENTAL THICKNESS).
 - SUPPLIED WITH SPLINED DRIVE HUB. SPECIFY SPLINE WHEN ORDERING.
 - AVAILABLE IN EITHER HIGH OR ULTRA HIGH RATIO PRESSURE PLATES.
 - MUST BE USED WITH RADIUS FACED RELEASE BEARING. CONTACT DIAMETER RANGE FROM 44mm TO 52mm. 44mm CONTACT DIAMETER HIGHLY RECOMMENDED.
 - CARBON PLATE THICKNESSES VARY BY PART NUMBER. REFER TO CARBON/CARBON CLUTCH BUILD RECORD PER INDIVIDUAL CLUTCH SERIAL NUMBER.

TILTON ENGINEERING, INC.		(805) 688-2353 FAX (805) 688-2745	
25 EASY STREET P.O. BOX 1787		BUELLTON, CALIFORNIA 93427 USA	
TITLE: INSTALLATION DRAWING CARBON/CARBON CLUTCH, OT-II 7.25"			
DRN BY LUND	CHKD WAHL	SCALE 1:1	DWG 5762
P/N SEE TABLE	DATE 12/19/2014	SHEET 1 OF 1	REV A

TILTON ENGINEERING, INC. and its receipt or possession does not convey the rights to reproduce, disclose its contents, or to manufacture, use or sell anything it may describe. Reproduction, disclosure, or use without specific written authorization of TILTON ENGINEERING, INC. is strictly forbidden.