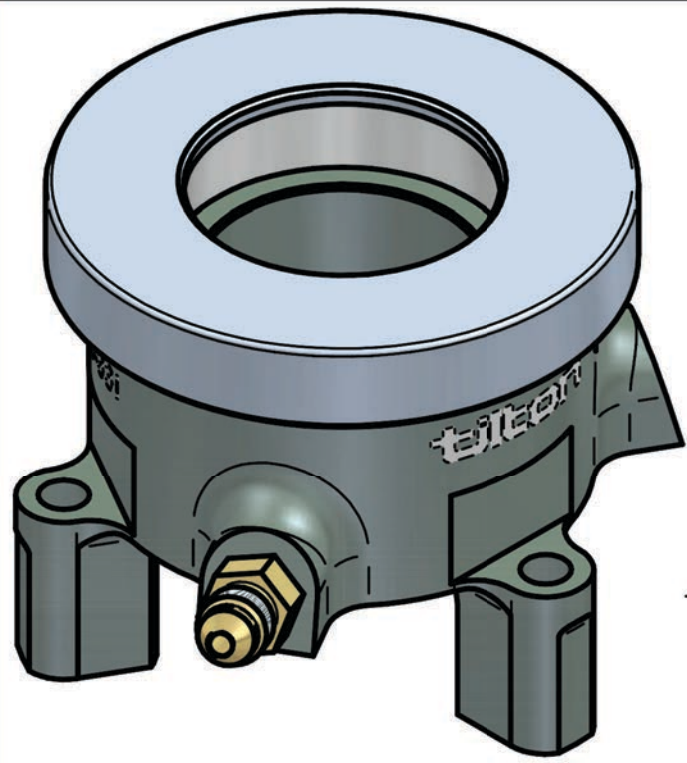


4

3

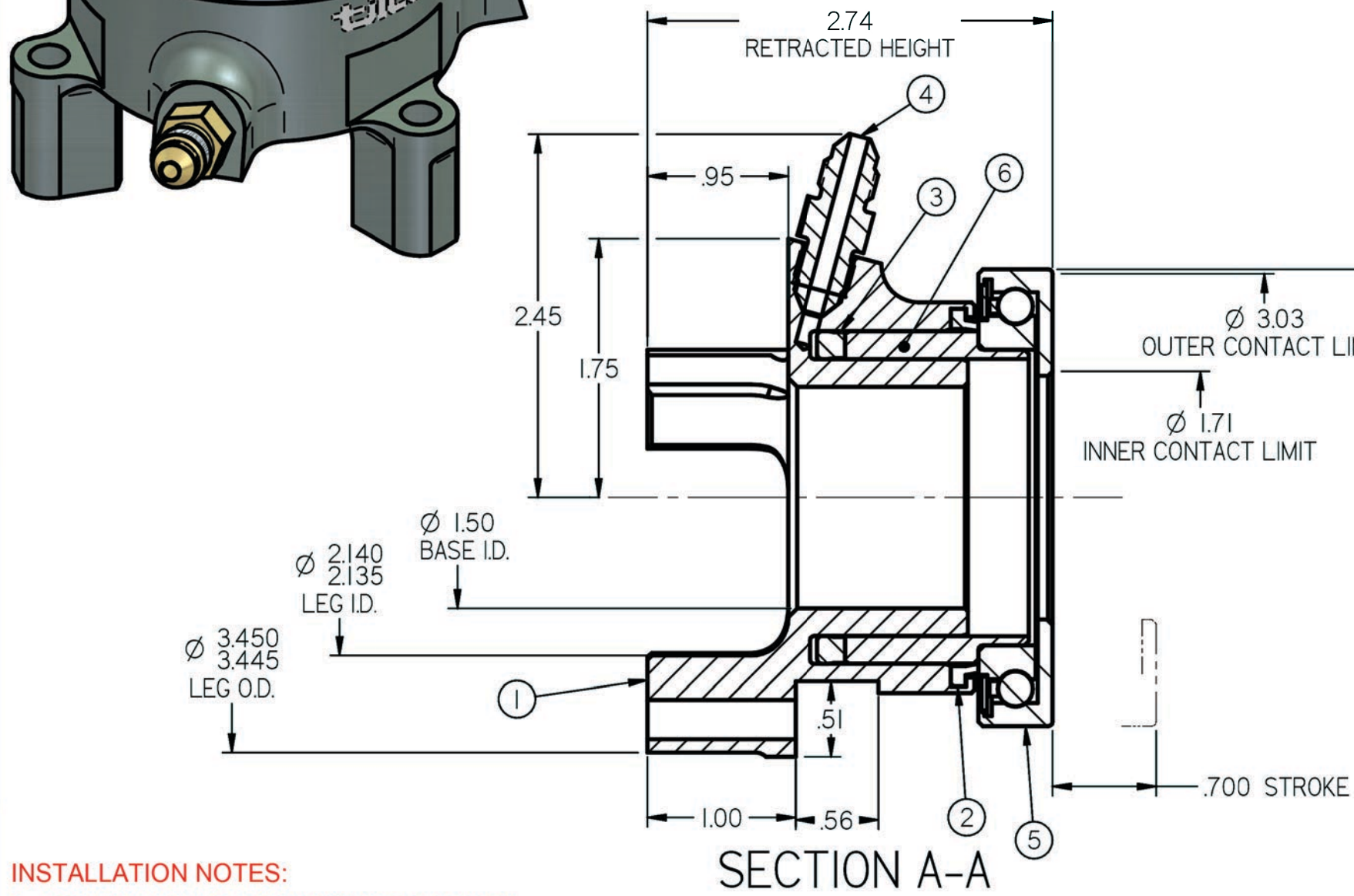
2

1

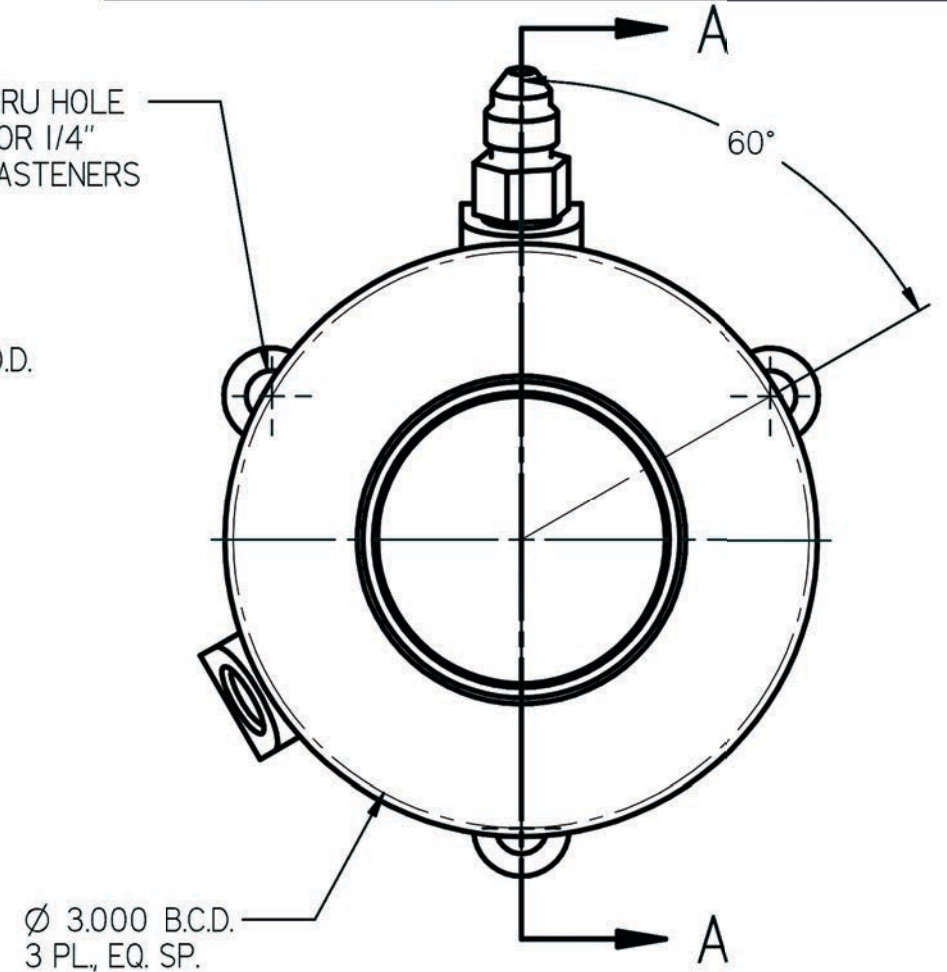


ITEM	PART NUMBER	DESCRIPTION	QTY
1	62-331	HYDRAULIC BASE	1
2	62-617	WIPER SEAL	1
3	62-614	HYDRAULIC SEAL	1
4	73-820	FITTING	2
5	62-618	BEARING	1
6	62-6100	PISTON	1

This document contains proprietary information of TILTON ENGINEERING, INC., and its receipt or possession does not convey the rights to reproduce, disclose its contents, or to manufacture, use or sell anything it may describe. Reproduction, disclosure, or use without specific written authorization of TILTON ENGINEERING INC. is strictly forbidden.



Ø .266 THRU HOLE
SUITABLE FOR 1/4"
OR 6 mm FASTENERS



INSTALLATION NOTES:

1. USE ONLY WITH DOT-3 OR DOT-4 BRAKE FLUID.
2. NO INTERNAL TRAVEL LIMITER. MUST BE USED WITH CLUTCH PEDAL STOP.
3. SEAL REBUILD KIT = 62-905.
4. SEAL INSTALLATION TOOL = 96-002.
5. HYDRAULIC AREA = 1.215 SQ IN.
6. EITHER PORT MAY BE USED FOR FEED OR BLEED.
7. ORIENTATE BLEED PORT TO WITHIN 10 DEGREES OF TOP CENTER TO FACILITATE BLEEDING PROCESS.
8. BOTH PORTS 3/8-24 UNF X .28 THREAD DEPTH.

TILTON ENGINEERING, INC.		FAX 805/688-2745	
25 EASY STREET, P.O. BOX 1787, BUELLTON, CA 93427 805/688-2353			
TITLE: HYDRAULIC RELEASE BEARING ASSEMBLY FLAT FACED BEARING, 3 LEG BASE			
DRAWN BY WAHL	CHKD LUND	SCALE 1:1	SIZE DWG
P/N 60-3100	DATE 03/16/2012	SHEET 1 OF 1	B 5608
			REV NC

TILTON ENGINEERING