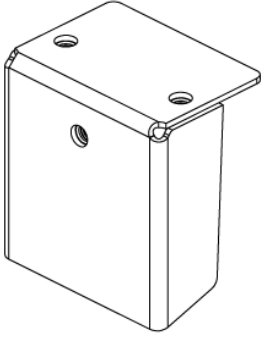
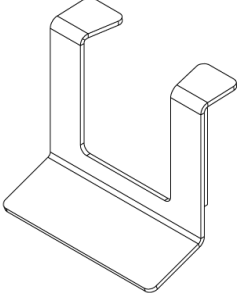
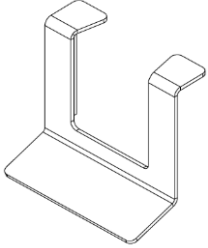
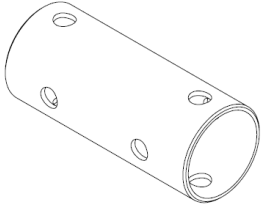
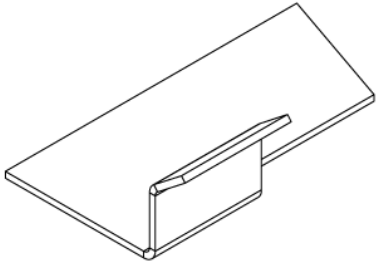
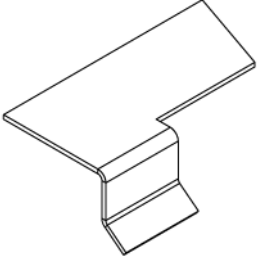
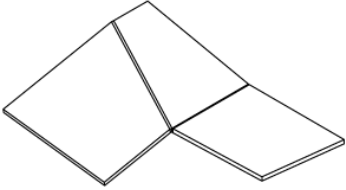
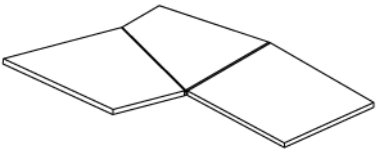
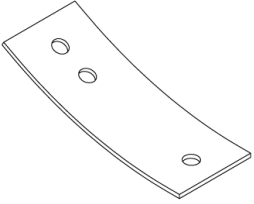
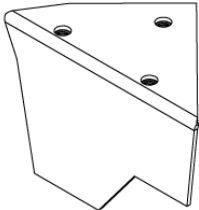


Safety Devices International Ltd.
Cambridge House, Holborn Avenue, Mildenhall, Suffolk, IP28 7AN, United Kingdom
Tel: +44 (0)1638 713606 email: motorsport@safetydevices.com www.safetydevices.com

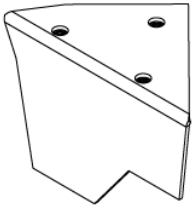
U051 Mitsubishi "Full Spec" Fitting Kit List

RBU051 3SXX-FK – Front Fitting Kit			
Drawing	Part Number	Description	Qty
	20-2347-609	Front Leg Tower	2
	20-6000-1001	RH Front Leg Weld Plate	1
	20-6000-1000	LH Front Leg Weld Plate	1
-	-	M10 x 60mm Hex Bolt	8
	22-1200-070	45mm Slipper Tube	2
-	-	M10 Spring Washer	2
-	-	M10 Flat Washer	30
-	-	M10 Nyloc	6
-	-	M10 x 30 Set Screw	8

Safety Devices International Ltd.
Cambridge House, Holborn Avenue, Mildenhall, Suffolk, IP28 7AN, United Kingdom
Tel: +44 (0)1638 713606 email: motorsport@safetydevices.com www.safetydevices.com

RBU051 5SXX-FK – Rear Cage Fitting Kit			
Drawing	Part Number	Description	Qty
	20-2400-757	RH B-Hoop Door Side Chassis Plate	1
	20-2400-755	LH B-Hoop Door Side Chassis Plate	1
	20-2400-754	LH B-Hoop Rear Chassis Plate	1
	20-2400-756	RH B-Hoop Rear Chassis Plate	1
	20-2340-1856	Curved Backstay Plate	2
	20-2347-423	RH B Hoop Tower	1

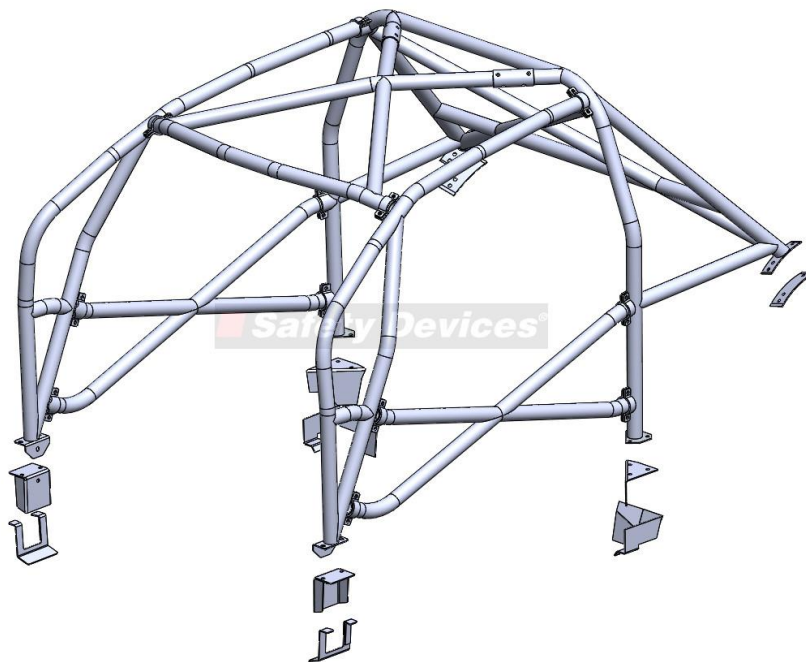
Safety Devices International Ltd.
Cambridge House, Holborn Avenue, Mildenhall, Suffolk, IP28 7AN, United Kingdom
Tel: +44 (0)1638 713606 email: motorsport@safetydevices.com www.safetydevices.com

	20-2347-422	LH B Hoop Tower	1
-	-	M10 Spring Washer	6
-	-	M10 Flat Washer	18
-	-	M10 Nyloc	6
-	-	M10 x 25 Set Screw	12

RBU051 DXUN-FK – N/S Door Bar Fitting Kit			
Drawing	Part Number	Description	Qty
-	-	M10 Flat Washer	16
-	-	M10 Nyloc	8
-	-	M10 x 30 Set Screw	8

RBU051 DXUU-FK – O/S Door Bar Fitting Kit			
Drawing	Part Number	Description	Qty
-	-	M10 Flat Washer	16
-	-	M10 Nyloc	8
-	-	M10 x 30 Set Screw	8

Cage Drawing



Safety Devices International Ltd.
Cambridge House, Holborn Avenue, Mildenhall, Suffolk, IP28 7AN, United Kingdom
Tel: +44 (0)1638 713606 email: motorsport@safetydevices.com www.safetydevices.com

Main Hoop Plate Welding Info

