



👁 Note!

Please note that there can be small differences between your product and the images in these instructions.

👁 Note!

Please note that during storage and transport, especially at high ambient temperature, some of the oil and grease used for assembly may leak and stain the packaging. This will not cause damage to the product, wipe off the excessive oil or grease with a cloth.

Kit Contents

	Description	Part No	Pcs
1	Shock absorber	VWS 5T10	2
2	Dust boot	10216-02	2
3	Plastic spring spacer	25602-01	2
4	Spring	47000-19	2
5	Rubber spring spacer	25601-01	2
6	Upper spring seat	25618-07	2
7	Spacer	24629-47	2
8	Washer	24619-05	2
9	Lock nut M14	24627-03	2
10	C-spanner	24639-01	1
11	C-spanner	24639-03	1
12	Öhlins sticker kit	10207-01	1
13	Öhlins Owners manual	07451-01	1

👁 Note!

Before you install this product, check the kit contents. If anything is missing, please contact an Öhlins dealer.

⚠ Warning!

Before you install this product, read the Öhlins Owner's manual. This product is an important part of the vehicle and the vehicle stability.

👁 Note!

If the vehicle is equipped with OEM active shock absorbers, use Öhlins cancellation kit. For more information and part number, please visit www.ohlins.com

👁 Note!

VWS MT10 will only fit front uprights with 55 mm inner diameter

Shock absorber kit for VAG PQ35 platform

(Please visit www.ohlins.com for complete list of compatible vehicles)

VWS MT10S1 front

Mounting Instructions



MOUNTING INSTRUCTIONS

⚠ Warning!

We strongly recommend to let an Öhlins dealer install this product.

⚠ Warning!

If you work with a lifted vehicle, make sure that it is safely supported to prevent it from tipping over.

👁 Note!

When you work with this product, see the vehicle service manual for vehicle specific procedures and important data.

👁 Note!

Before you install this product clean the vehicle.

1

Raise the vehicle and put it on jack stands.

⚠ Warning!

Ensure that it is securely supported.

2

Remove the front wheels.

3

Loosen the bolts for the lower strut attachments.

👉 Caution!

Support the wheel hubs in an appropriate way on each side of the vehicle so that the brake hoses can not be damaged.

4

Loosen the upper attachments. Remove the original struts from the car.

5

Cut the dust boot 30 mm from the lower end with a pair of scissors according to fig 2.

6

Tighten the lower spring seat and the lock ring to 50 - 60 Nm.

Fit the dust boot (2), the plastic spacer (3), the spring (4), the elastic spacer (5), the upper spring seat (6) and the top mount spacer (7) to the strut according to Fig 1.

Fit the standard top mount, the washer (8) and the lock nut M14 (9). Tighten the lock nut to 35-40 Nm.

Fig. 1

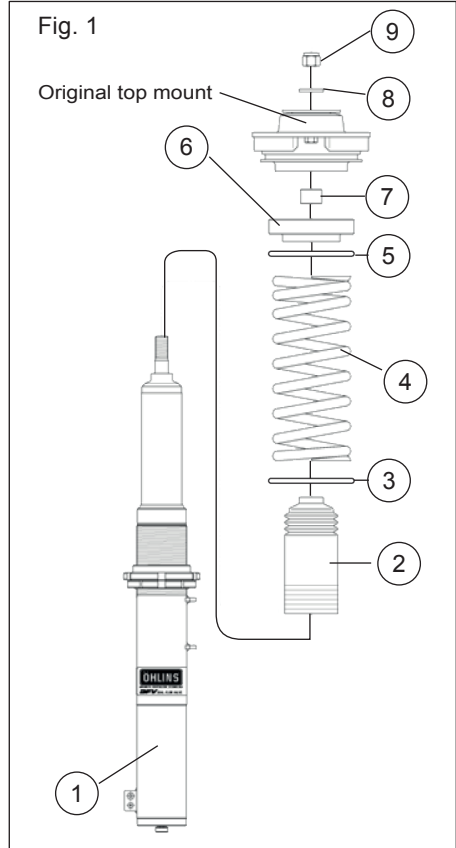
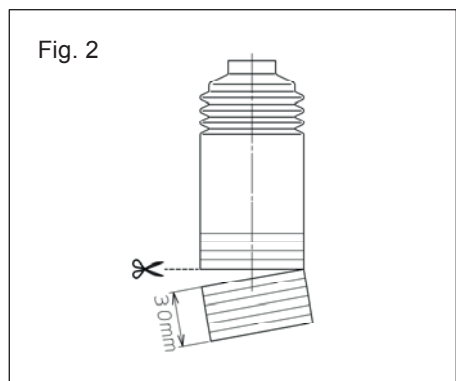


Fig. 2



MOUNTING INSTRUCTIONS

7

Install the Öhlins McPherson struts on the vehicle.

8

Fasten the upper attachments.

Note!

When tightening the top mount nut , the shock absorber shaft must be held in position with a 6 mm Allen key.

9

Raise the wheel hub with a jack to remove the freeplay of the lower strut attachment bolts before tightening them.

Note!

Make sure that all bolts are tightened to the correct torque and that nothing fouls or restricts movement of the strut when it is being fully compressed or extended. Test this over the whole steering range from lock to lock. Some of the original bolts need to be replaced when removed. See the service manual for your vehicle or contact an Öhlins dealer.

10

Make sure that all removed parts are reinstalled in the same way as they were before the installation of the Öhlins shock absorber.

ADJUSTMENTS

⚠ Warning!

Before you ride/drive, always make sure that the setup is according to the recommended setup data. Read about adjustments and setting up in the Öhlins Owner's Manual before you make any adjustments. Contact an Öhlins dealer if you have any questions about setting up.

The standard preload is 2 mm from a free length of 180 mm, giving 178 mm installed length, see fig 3.

SETUP DATA

Rebound setting		
Track	0-7	clicks
Winding road	5-10	clicks
Street	10-20	clicks
Spring preload	2	mm

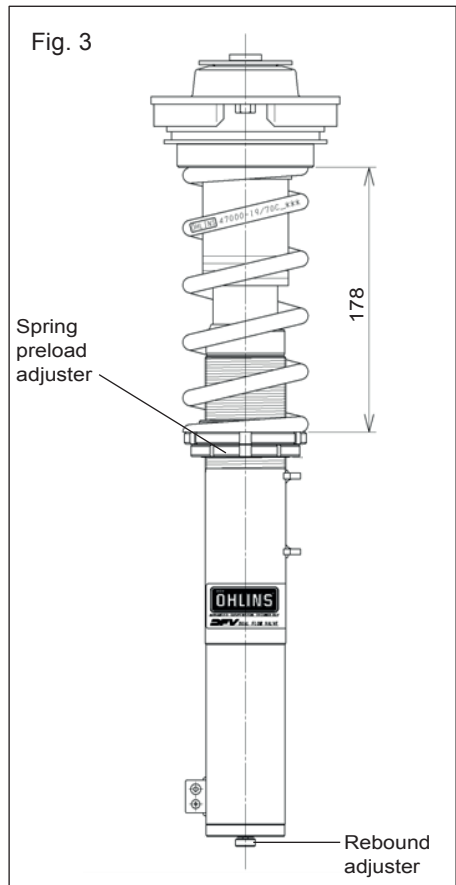
Recommended spring

47000-19 (70N/mm)

Vehicle height adjustment range

With the preload set to the recommended position, the vehicle is lowered approximately 20 mm when compared to the original suspension. As the height adjuster is turned one rotation, the position moves 2.0 mm. Depending on car model and equipment, the spring preload may vary. Adjust the spring preload until you have reached your desired ride height. Make sure that the spring is always preloaded.

Fig. 3



⚠ Warning!

The spring preload adjustment range is 2-12 mm giving approximately 10-20 mm lower ride height of the car

Öhlins products are subject to continuous improvement and development, therefore, although these instructions include the most up-to-date information available at the time of printing, minor updates may occur.

To find the latest information contact an Öhlins distributor. Please contact Öhlins if you have any questions regarding the contents in this document.

Part no. MI_VWS MT10S1_0
Issued 2022-09-09

© Öhlins Racing AB. All rights reserved. Any reprinting or unauthorized use without the written permission of Öhlins Racing AB is prohibited.

Öhlins Racing AB
Box 722
S-194 27 Upplands Väsby, Sweden
Phone +46 8 590 025 00
fax +46 8 590 025 80



www.ohlins.com



Note!

Please note that there can be small differences between your product and the images in these instructions.

Note!

Please note that during storage and transport, especially at high ambient temperature, some of the oil and grease used for assembly may leak and stain the packaging. This will not cause damage to the product, wipe off the excessive oil or grease with a cloth.

Kit Contents

	Description	Part No	Pcs
1	Lock nut M10	24618-02	2
2	Dust boot support	24645-01	2
3	Shock absorber	VWS 6T10	2
4	Bushing spacer	24629-02	2
5	Dust boot	10216-03	2
6	Rubber seat	25601-04	2
7	Spring preload adjuster	24651-03	2
8	Lock nut	24636-03	2
9	Spring seat	24635-03	2
10	Plastic spring spacer	25602-01	2
11	Spring	47010-19	2
12	Lower plastic seat	25618-05	2
13	Tie rap	00231-02	4

Note!

Before you install this product, check the kit contents. If anything is missing, please contact an Öhlins dealer.

Warning!

Before you install this product, read the Öhlins Owner's manual. This product is an important part of the vehicle and the vehicle stability.

Note!

If the vehicle is equipped with OEM active shock absorbers, use Öhlins cancellation kit. For more information and part number, please visit www.ohlins.com

Shock absorber kit for VAG PQ35 platform

(Please visit www.ohlins.com for complete list of compatible vehicles)

VWS MT10S1 rear

Mounting Instructions



MOUNTING INSTRUCTIONS

⚠ Warning!

We strongly recommend to let an Öhlins dealer install this product.

⚠ Warning!

If you work with a lifted vehicle, make sure that it is safely supported to prevent it from tipping over.

👁 Note!

When you work with this product, see the vehicle service manual for vehicle specific procedures and important data.

👁 Note!

Before you install this product clean the vehicle.

1

Raise the vehicle and put it on jack stands.

⚠ Warning!

Ensure that it is securely supported.

2

Remove the rear wheels.

3

Remove the lower and the upper attachments and remove the original shock absorbers.

4

Remove the spring.

5

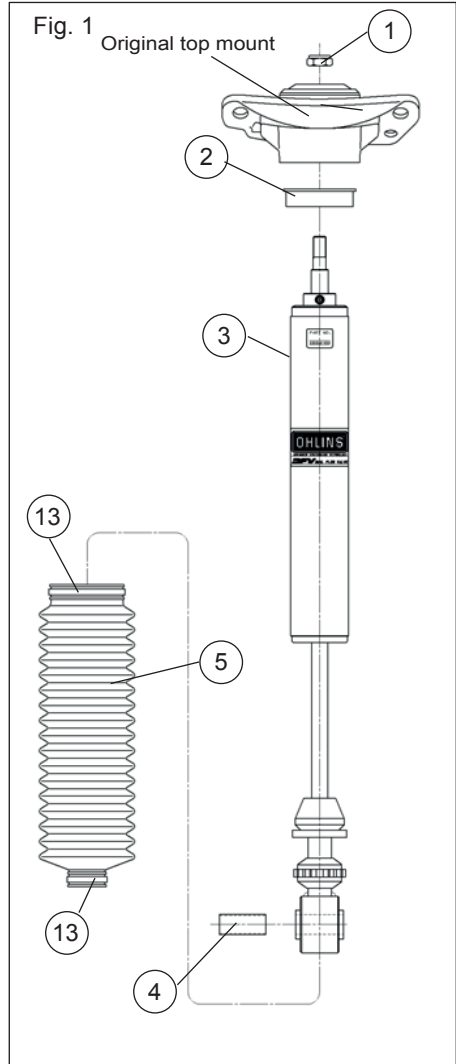
Set the spring seat of the spring preload adjuster to the position according to fig 3. Tighten the lock ring to 50 - 60 Nm.

6

Install the Öhlins spring and the spring preload adjuster on the vehicle according to fig 2.

7

Mount the dust boot (5) and the dust boot support (2) on the Öhlins shock absorber (3). Tighten only the lower tie-rod. Mount the standard top mount on the shock absorber according to fig 1. Tighten the lock nut (1) to 30 Nm. Install the bushing spacer (4) in the lower shock absorber bushing.



👁 Note!

Fit the spacer (4) into the bushing.

Note!

When tightening the lock nut, the shock absorber shaft must be held in position with a 4 mm Allen key.

8

Install the Öhlins shock absorbers on the vehicle.

9

Position the dust boot support and the top of the dust boot according to fig 3. Tighten the upper tie-rod.

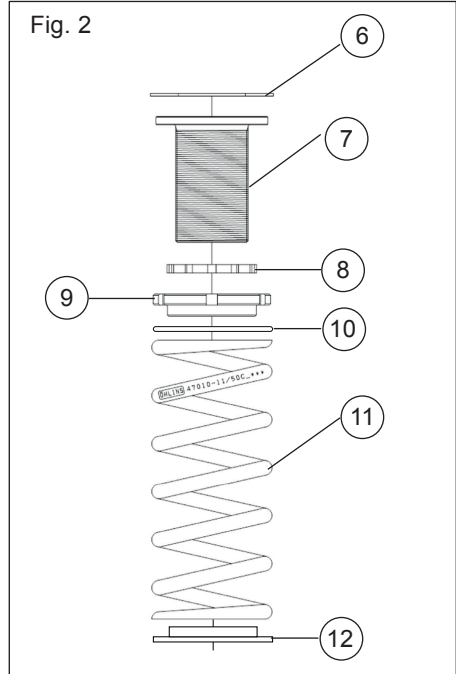
Note!

Make sure that all bolts are tightened to the correct torque and that nothing fouls or restricts movement of the shock absorber when it is being fully compressed or extended.

10

Make sure that all removed parts are reinstalled in the same way as they were before the installation of the Öhlins shock absorber.

Fig. 2



ADJUSTMENTS

⚠ Warning!

Before you ride/drive, always make sure that the setup is according to the recommended setup data. Read about adjustments and setting up in the Öhlins Owner's Manual before you make any adjustments. Contact an Öhlins dealer if you have any questions about setting up.

SETUP DATA

Recommended set-up

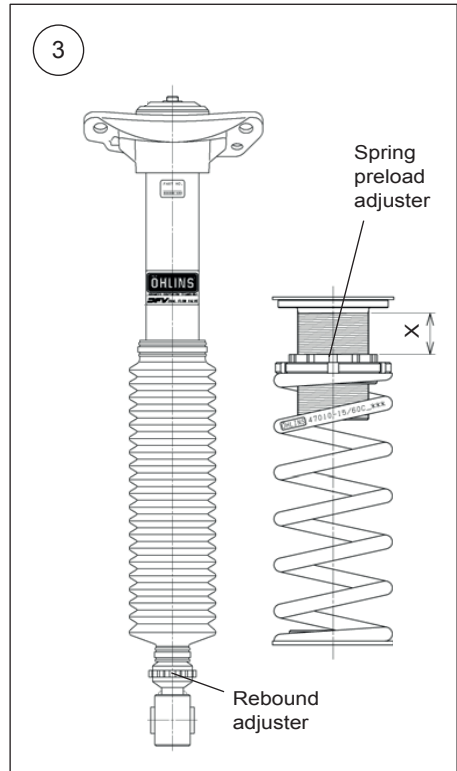
Rebound setting		
Track	0-7	clicks
Winding road	5-10	clicks
Street	10-20	clicks
Spring preload adjuster height (X)	30-40	mm

Recommended spring

47010-19 (70N/mm)

Vehicle height adjustment range

With the spring preload adjuster set to the recommended position, the vehicle is lowered approximately 20 mm when compared to the original suspension. As the height adjuster is turned one rotation, the position moves 1.5 mm. Depending on car model and equipment, the spring preload may vary. Adjust the spring preload until you have reached your desired ride height. Make sure that the spring is always preloaded.



⚠ Warning!

The spring preload adjustment range is the recommended position ± 10 mm

Öhlins products are subject to continuous improvement and development, therefore, although these instructions include the most up-to-date information available at the time of printing, minor updates may occur.

To find the latest information contact an Öhlins distributor. Please contact Öhlins if you have any questions regarding the contents in this document.

Part no. MI_VWS MI10S1_0
Issued 2022-09-09

© Öhlins Racing AB. All rights reserved. Any reprinting or unauthorized use without the written permission of Öhlins Racing AB is prohibited.

Öhlins Racing AB
Box 722
S-194 27 Upplands Väsby, Sweden
Phone +46 8 590 025 00
fax +46 8 590 025 80



www.ohlins.com