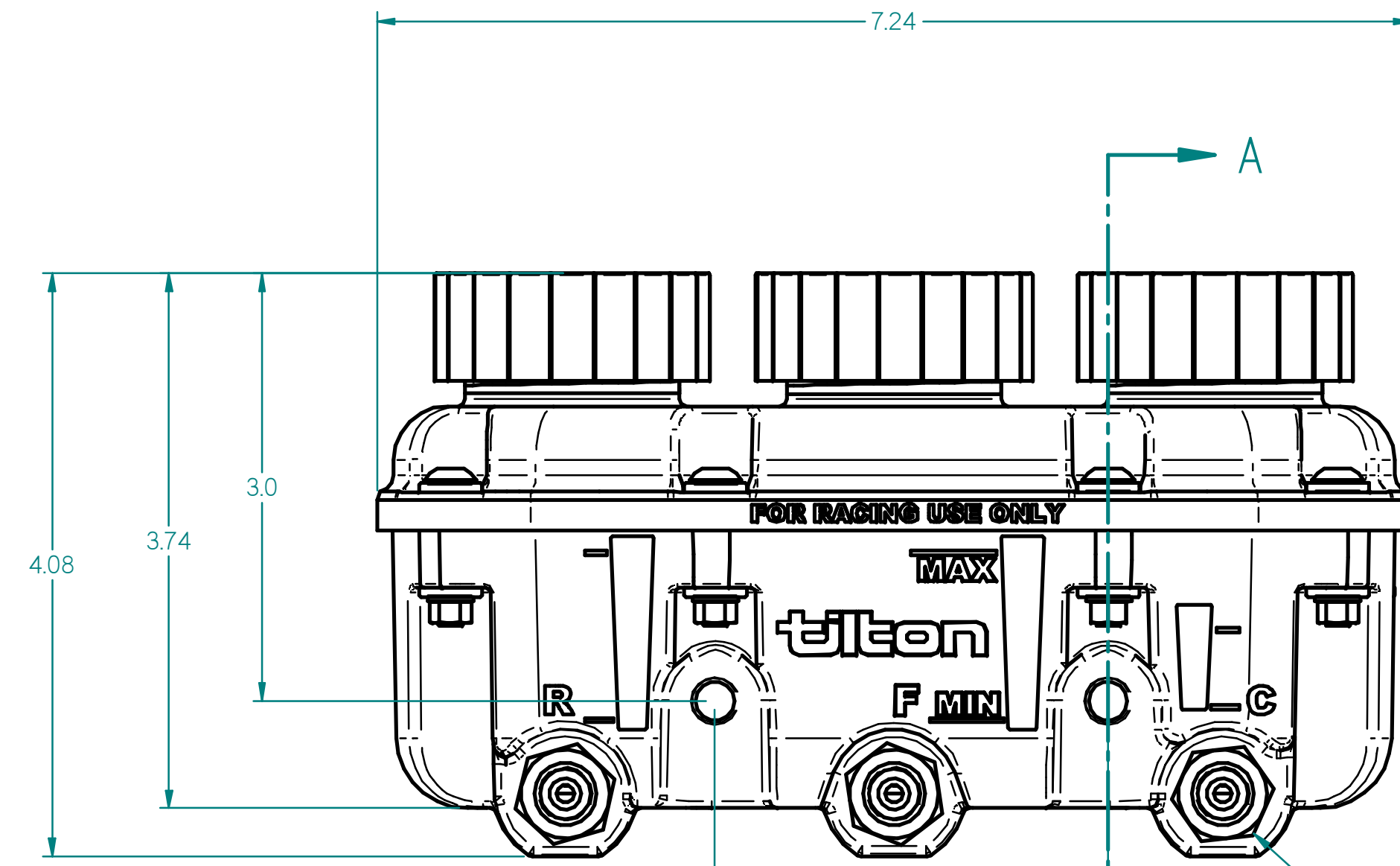


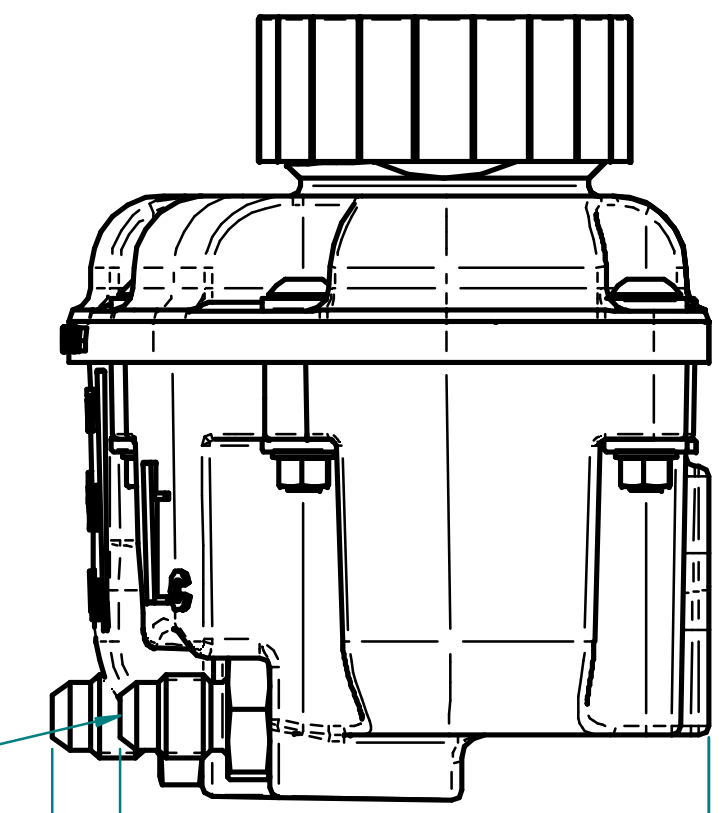
2.6  
MOUNTING BOLT GRIP LENGTH

SECTION A-A



MOUNTING HOLES  
2.75  
6MM OR 1/4" SUPPLIED BY CUSTOMER  
MOUNTING HOLES 2.6" DEEP

AN-4 MALE FITTINGS  
3 PLACES



NOTES:

1. R VOLUME = 117.4 mL, F VOLUME = 181.7 mL, C VOLUME = 59 mL. (TO MAX LINE FILL LINES)

TILTON ENGINEERING, INC.		(805)688-2353 FAX (805)688-2745	
25 EASY STREET P.O. BOX 1787		BUELLTON, CALIFORNIA 93427 USA	
TITLE: 3 IN1 RESERVOIR INSTALLATION DRAWING LOW PROFILE VERSION, FRONT EXIT PORTS			
DRN BY LUND	CHK'D WAHL	SCALE 1:1	DWG 6378
P/N 72-578	DATE 7/25/2016	SHEET 1 OF 1	

This document contains proprietary information of TILTON ENGINEERING, INC., and its receipt or possession does not convey the rights to reproduce, disclose its contents, or to manufacture, use or sell anything it may describe. Reproduction, disclosure, or use without specific written authorization of TILTON ENGINEERING, INC. is strictly forbidden.\*

**TILTON ENGINEERING** INC.